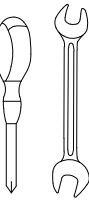
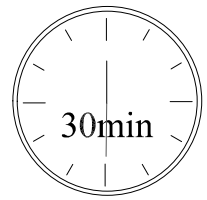
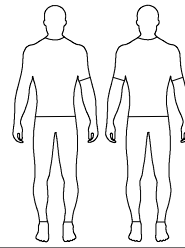
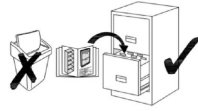
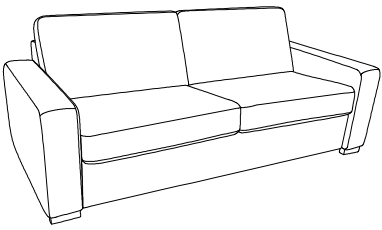
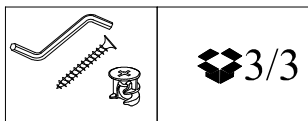
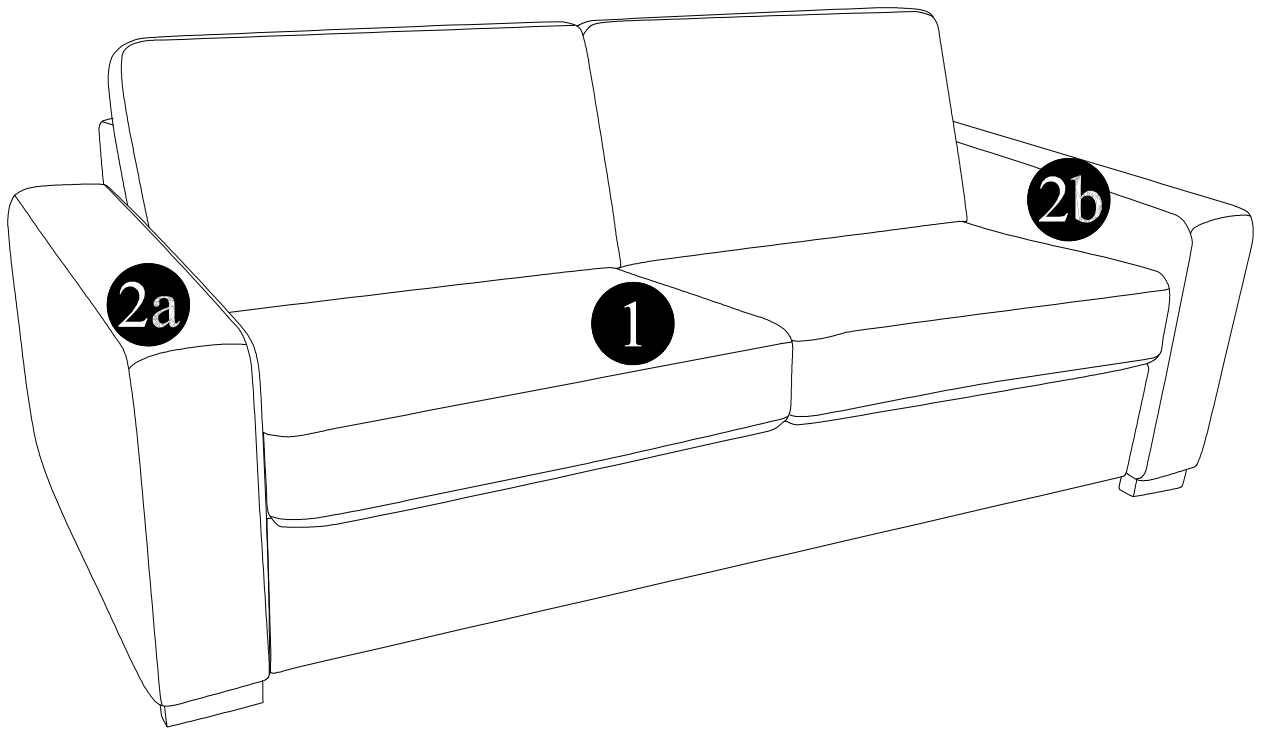
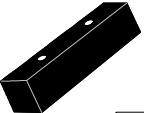


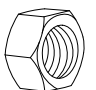



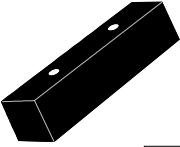
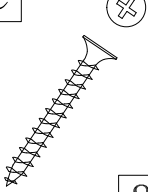
VANILLA



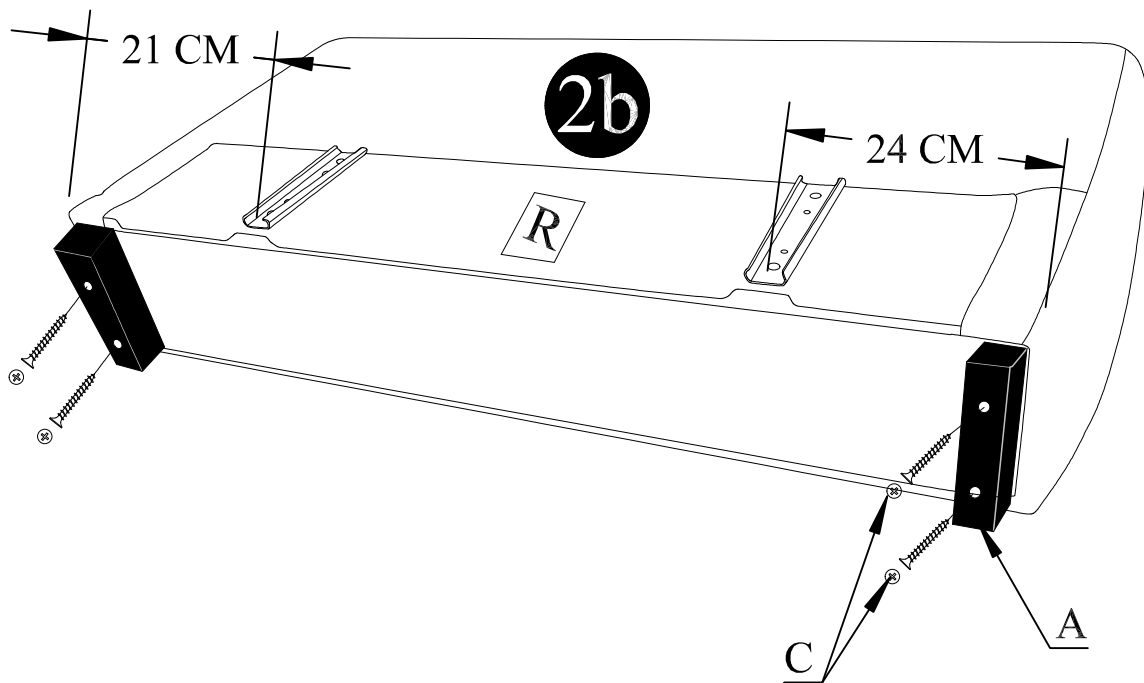
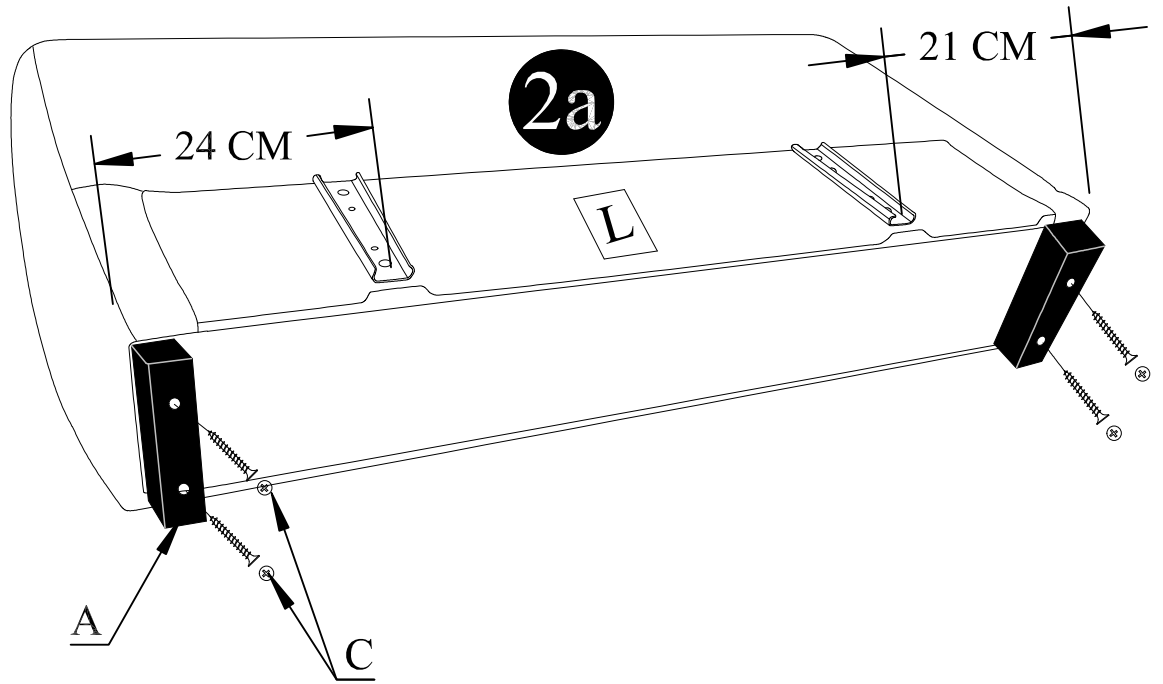
Teil	L	W	H	Pcs	Colli
1	78	180	102	1x	1/3
2a	24	50	102	1x	2/3
2b	24	50	102	1x	2/3


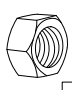



A	B	C	D	E
				
4x	4x	8x	4x	4x
H-50 L-145	H-80	3,5x45	M10	M10

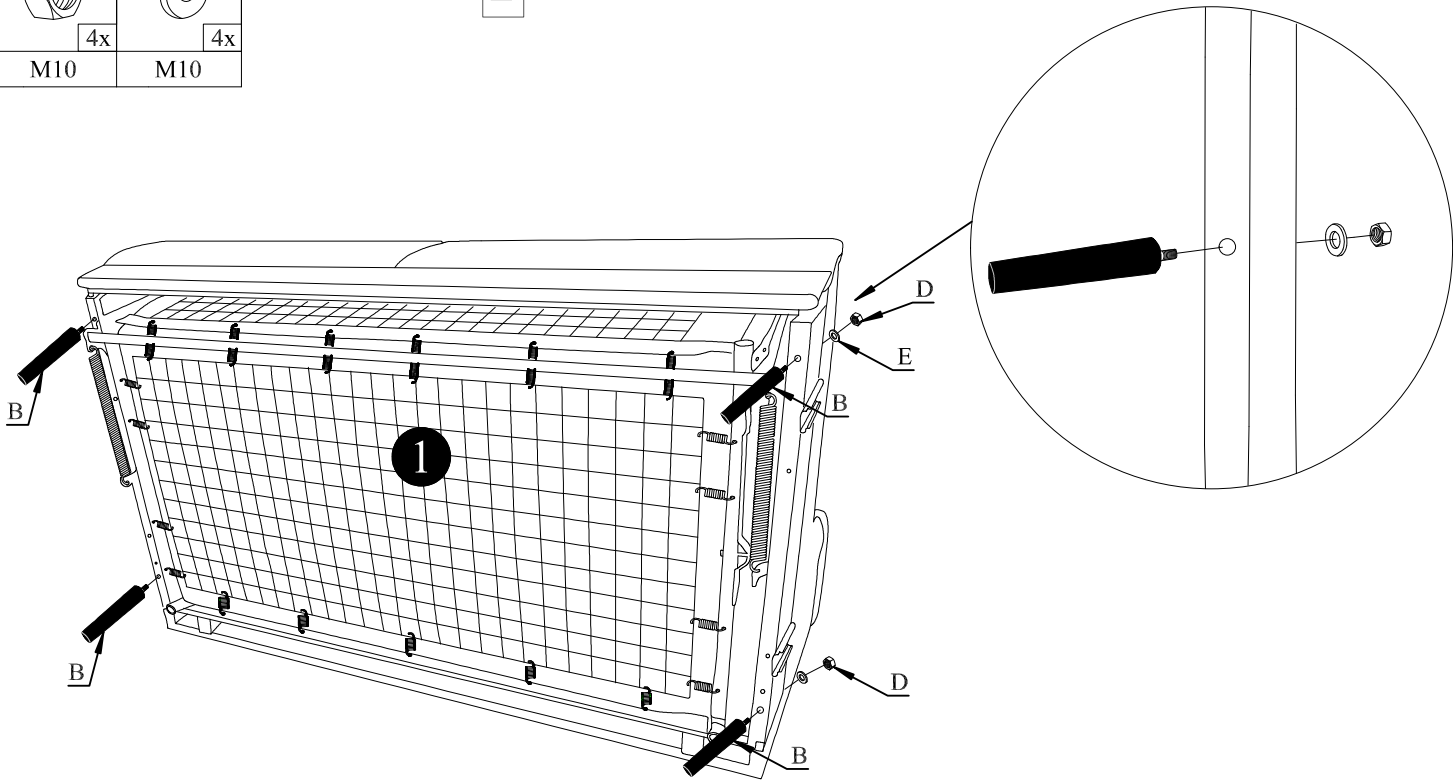
A	C
	
4x	8x
H-50 L-145	3,5x45

1



B	D	E
		
4x	4x	4x
H-80	M10	M10

2



3

